

## Audio-Navigation Unit Removal and Installation

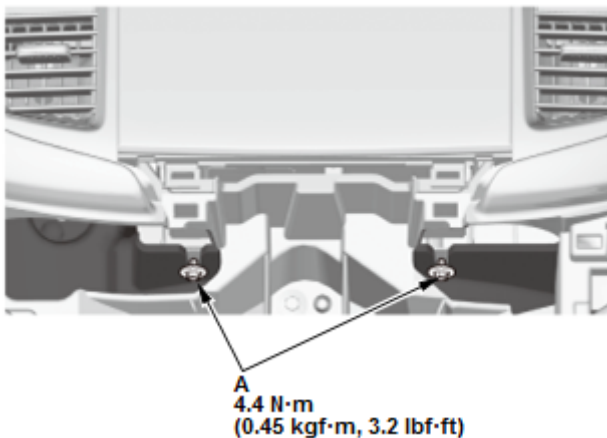
### Removal/Installation

#### NOTE:

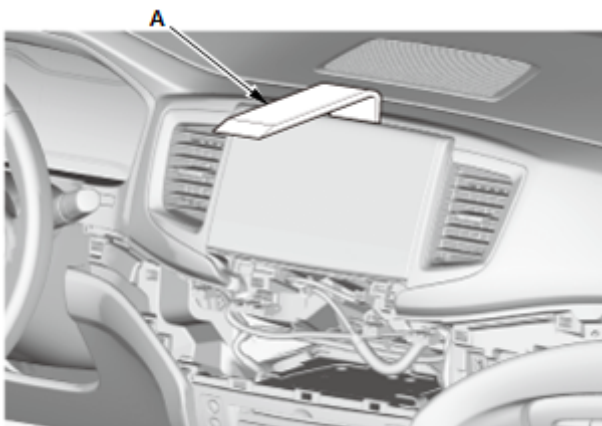
- Do not work in a dusty or dirty place.
- Do not work with dirty hands.
- If the audio-navigation unit is replaced, do not remove the SD card. The SD is provided in the new unit.
- If you are replacing the audio-navigation unit, write down the audio presets (if possible), and enter them into the new audio-navigation unit.
- After installing the audio-navigation unit, park the vehicle outside, and do the GPS initialization.
- When the audio-navigation unit is replaced or disconnected, do the Map Matching. This part of the initialization matches the GPS coordinates with a road on the map screen. To do this part of the procedure, make sure that the navigation system displays a map, and drive the vehicle on a mapped road shown on the map screen. Do not enter a destination at this time. When the name of the current road you are driving on appears at the bottom of the screen, the entire procedure is complete.

#### 1. Dashboard Center Middle Trim - Remove

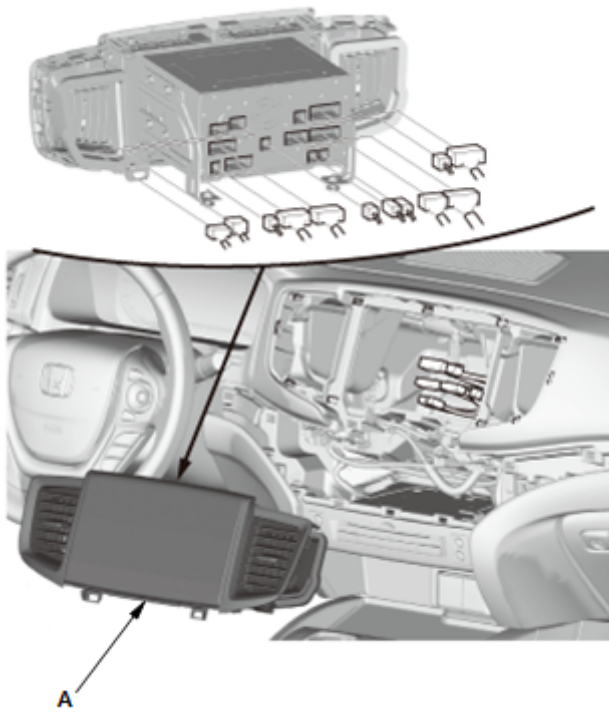
#### 2. Audio-Navigation Unit Assembly - Remove



1. Loosen the bolts (A).

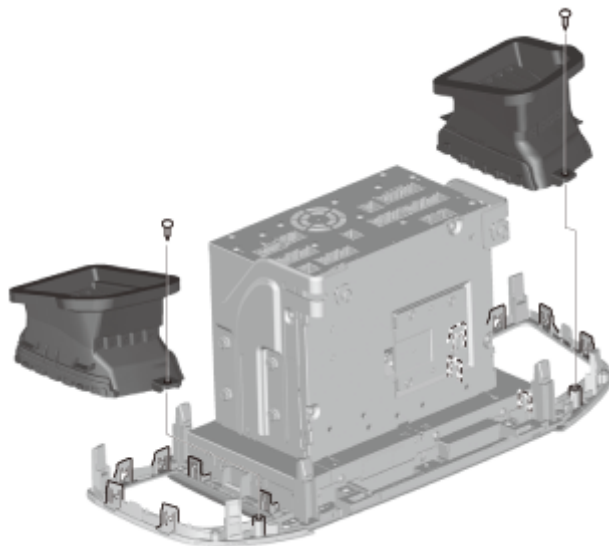


2. Pull out the audio-navigation unit assembly with the appropriate trim tool (A).



3. Disconnect the connectors, then remove the audio-navigation unit assembly (A).

### 3. Audio-Navigation Unit - Remove

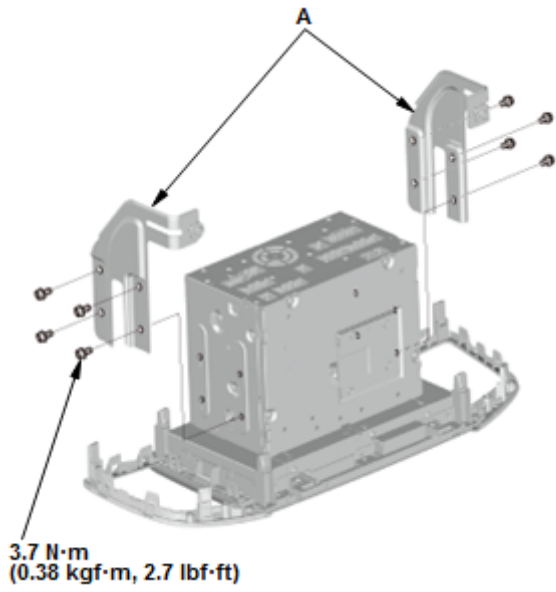


#### NOTE:

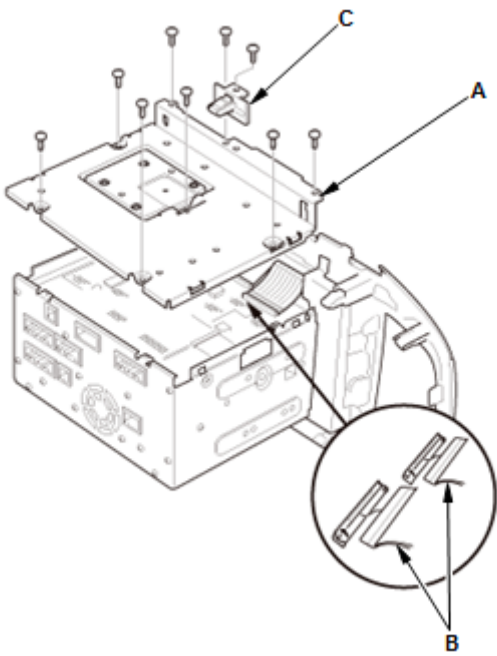
- Do not touch the circuit board(s) with your bare hands.
- Discharge static electricity from your body before and during the work.
- Do not touch the terminal connector of the flat plate cable with your bare hands (If you have touched it, wipe it off thoroughly).

1. Remove the dashboard center vents.
-

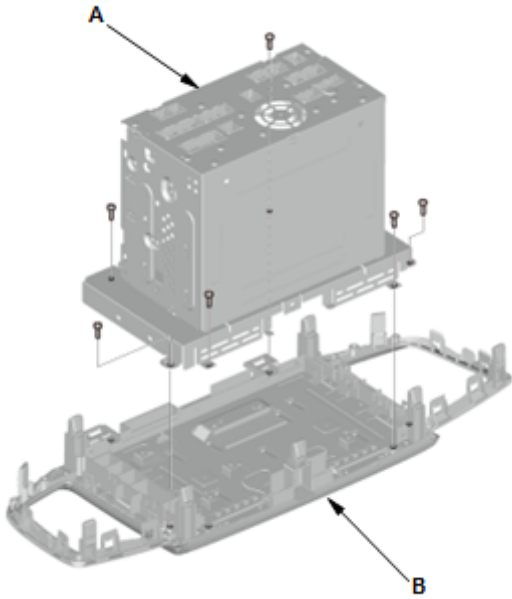
2. Remove the brackets (A).



3. Remove the cover (A), then disconnect the flexible printed circuits (B).
4. Remove the clip (C) from the cover if necessary.



5. Remove the audio-navigation unit (A) from the audio panel (B).



#### 4. All Removed Parts - Install

1. Install the parts in the reverse order of removal.

**NOTE:**

- After Installation, do the System Links in the System Diagnostic Mode to confirm that there are no problems in the system.
- If the audio-navigation unit was replaced, it may take up to 30 minutes for the navigation system to calibrate and operate correctly.